



# Maquet Magnus Operating Table System

Combining modularity, flexibility  
and ergonomics

A close-up photograph of a medical device, likely a patient warming or cooling unit, in a clinical setting. The device is primarily silver and black. A white label with the brand name "GETINGE" and a blue asterisk logo is prominently displayed on the front panel. The device is mounted on a black padded surface, possibly a patient bed or table. In the background, a large, white, curved medical structure, likely part of a C-arm X-ray system, is visible, along with a blue door and a white wall.

**GETINGE** \*

# Ergonomic and future-proof

– one solution for all surgical needs

The Maquet Magnus Operating Table System is the culmination of Getinge's knowledge, resources and expertise, providing state-of-the-art technology for optimized workflows and improved patient safety in the OR.

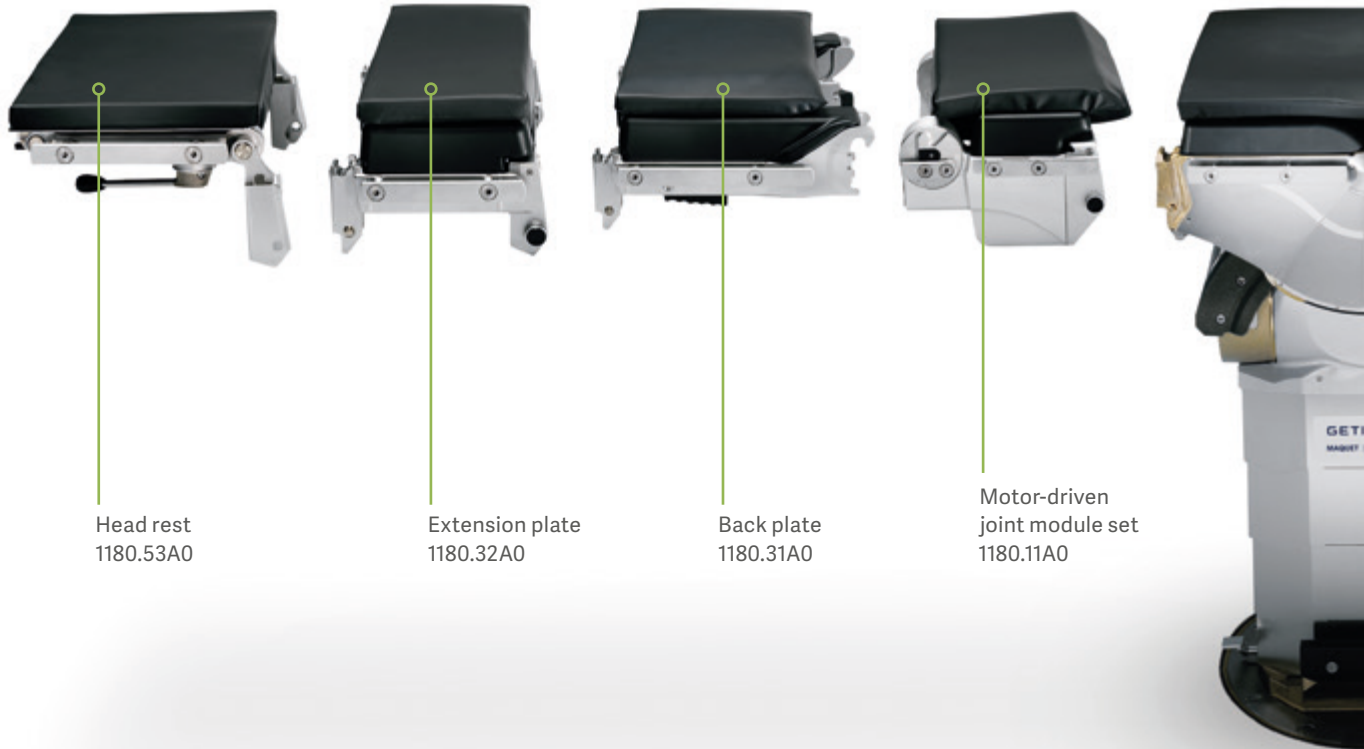
Getinge is built on a genuine compassion for people's health, safety, and wellbeing. Founded in 1904 with roots dating back to 1838, Getinge has grown organically and through acquisitions to become a global market leader. Our product portfolio offers solutions and support throughout the clinical pathway and features many well-known and dependable product brands – including the Getinge OR Table Systems,

which were first developed more than 50 years ago. The Getinge Table System Maquet Magnus sets standards in extreme positioning and stability through its impressive flexibility and weight-bearing capacity. At the same time, the ergonomic design and safety features ensure a healthy and comfortable environment for patients and surgical teams.



# Maquet Magnus Operating Table System

Explore the possibilities



## Optimizing workflows

Its extreme height adjustment and patient positioning capabilities are what sets Maquet Magnus apart from other operating table systems. It provides optimal ergonomic conditions for you and your surgical team and creates a healthy and safe workspace.

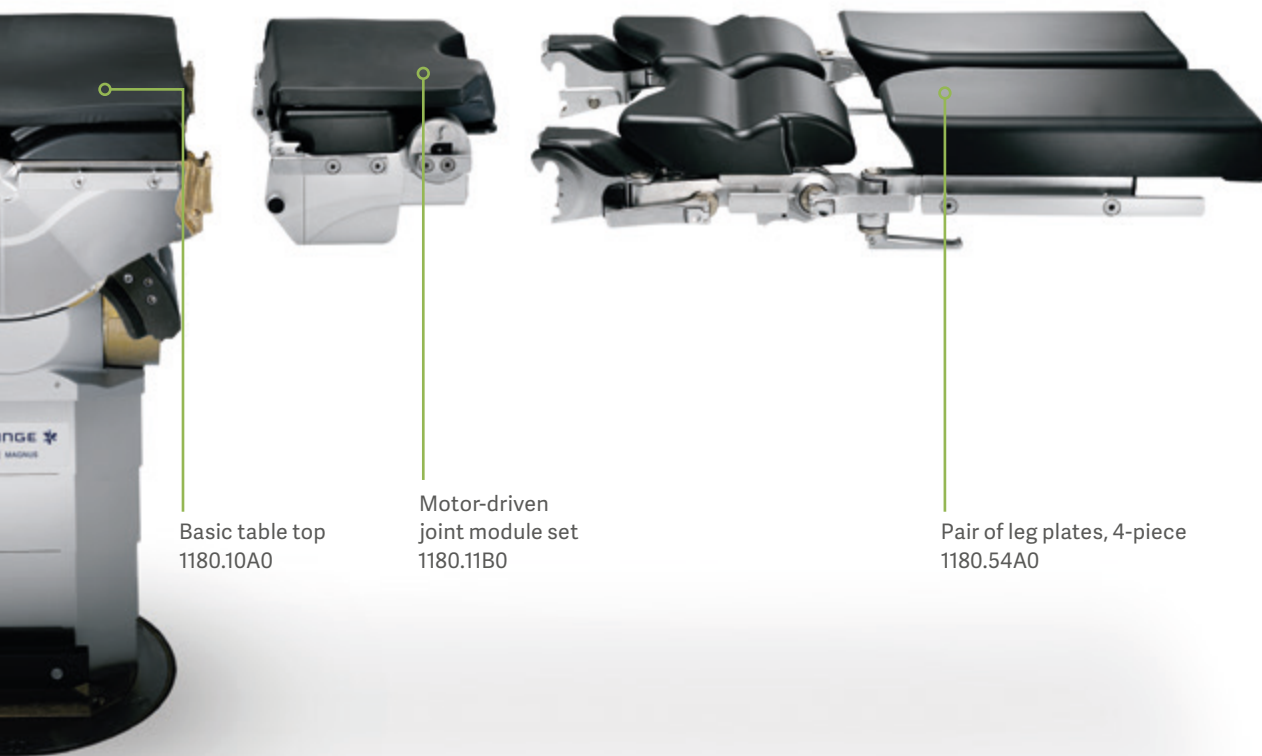
The modular structure of Maquet Magnus allows for a highly versatile and very cost-effective use of the table system. It can be integrated into a hybrid OR simply by changing the table top and can be adapted to any surgical discipline by adding or removing modules.

## Expanding the spectrum of surgical disciplines

The carbon-fiber table tops of Maquet Magnus support interventions in endovascular and cardiovascular surgery as well as in interventional radiology, orthopedics and traumatology. The table top provides 360° radiolucency and therefore gives optimum X-ray access.

When deployed for interdisciplinary use, the diagnostic requirements of neurosurgery, orthopedics and traumatology are also covered. Available interfaces to common imaging partners offer perfect synchronization with imaging equipment.

The modular operating table system includes a column, a hand control, a user-friendly transporter, and a wide variety of table top modules and accessories. Surgical staff can tailor the table to each surgery and patient by simply swapping a few modules.



Basic table top  
1180.10A0

Motor-driven  
joint module set  
1180.11B0

Pair of leg plates, 4-piece  
1180.54A0

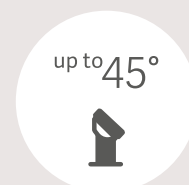
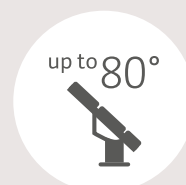
### Hygienic and comfortable

Maquet Magnus OR Table Tops feature operating table cushions that offers excellent positioning comfort and patient safety. It provides a particularly efficient distribution of the pressure, reduced shearing forces and safe lateral support.

### A well-coordinated system

The Maquet Magnus OR Table System is a sophisticated, adaptable system which offers you peace of mind and flexibility regarding any changing future requirements. Particularly in minimally invasive surgery, extreme positions are often necessary to provide an optimal exposure area by using gravity.

Here, Maquet Magnus has set new standards, with slope angles of up to 80° and tilt angles of up to 45°, which can also be combined. Together with modules that have been designed specifically to work with each other, this opens up almost unlimited positioning options, as well as new and ergonomically optimized surgical working methods.



# Optimizing turnaround times

## Improved utilization of your OR theater

### Workflow using Maquet Magnus →

#### Patient positioning

Pre-surgery



Transport



Transport

### Workflow using a standard table →

 OR theater



Patient positioning  
Pre-surgery

#### Adding extraordinary flexibility to your OR

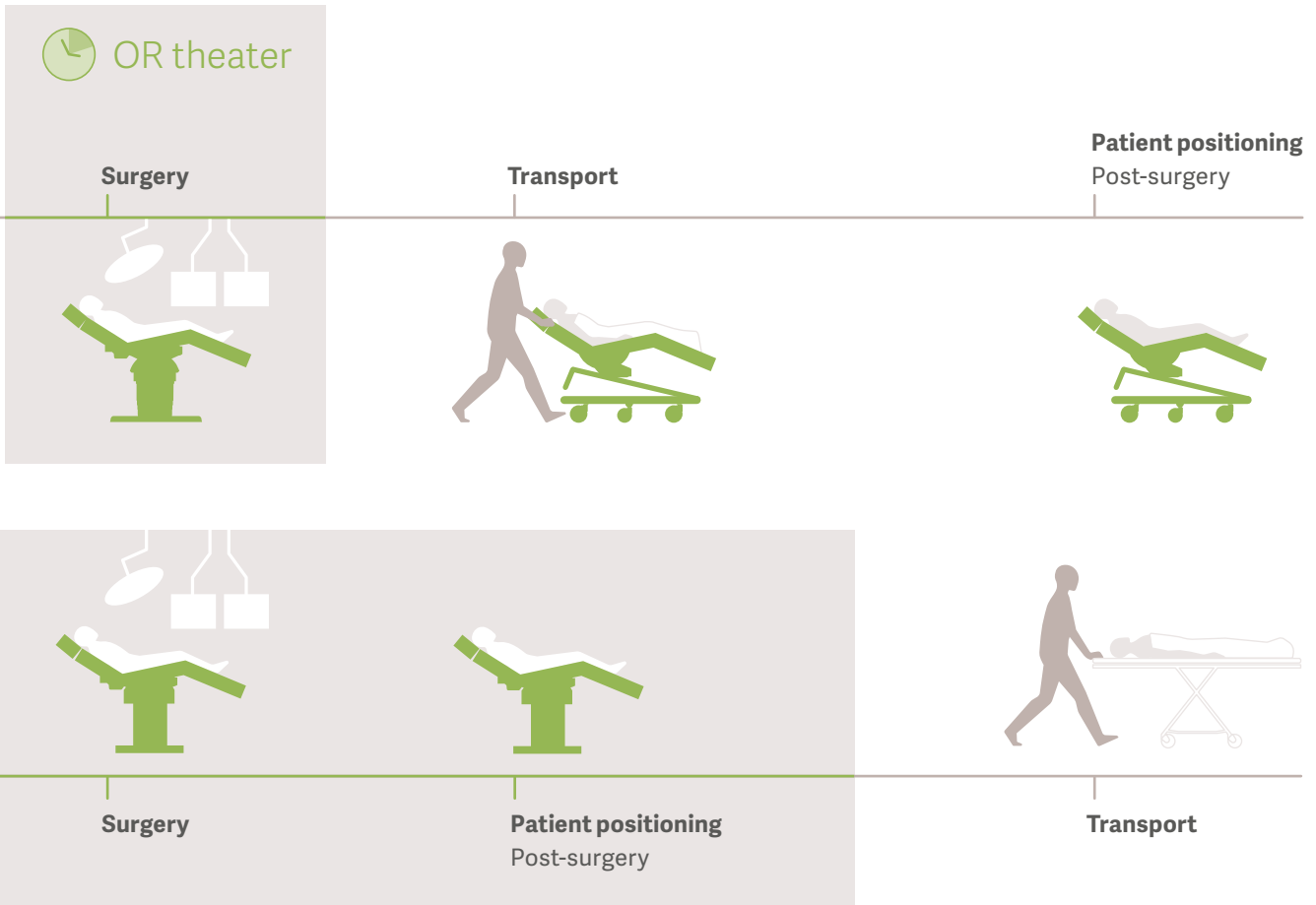
The table system is freely configurable based on your diagnostic and therapeutic needs. Aside from patient outcome, there are two important aspects to every surgery: efficiency and safety. Improvements in efficiency can have a dramatic impact on your hospital's bottom line by increasing turnaround times between surgeries and reducing staff injuries or damage to equipment.

The Maquet Magnus OR Table System helps you to optimize the workflow in your surgical theater by providing expanded patient positioning possibilities and innovative table components that can be set up quickly and easily.

#### Reducing the need for repositioning

Maquet Magnus OR Table Tops can be easily removed from their columns for transport throughout the entire surgical area. The table top can still be adjusted even after it has been transferred to the transporter. This allows you to transport the patient throughout the surgical area in their original position without having to totally reposition them in the OR – saving time and allowing preparation of the next patient to start earlier.

- + less time is spend in the OR
- + faster turnaround times



Patients can be kept in specialized positions such as beach chair during transport. This can positively impact your efficiency by eliminating the time-consuming need for repositioning the patient in the OR.

Furthermore, patients with respiratory conditions benefit from the possibility of upright transport that limits the pressure on their lungs from their own body weight. Maquet Magnus OR Transporters allow your team to maneuver the patient safely and with minimal physical effort.



# Workplace ergonomics

## Providing a comfortable and safe environment during surgery

### **The Maquet Magnus Operating Table System – easy and versatile**

Due to its versatility, innovative narrow design and broad range of angles and tilts, the Maquet Magnus OR Table System provides an optimal working environment. Even extreme positions can be performed according to the needs of the surgeon and the procedure – throughout all surgical disciplines. Maquet Magnus offers patient positioning possibilities which grant you full access to the surgical field from a relaxed and comfortable position. Especially during long procedures, this can reduce fatigue and allow you to focus on what is important – whether you are sitting or standing.

### **Collision detection avoids disruptions during surgery**

Collisions in the OR are one of the major risks to staff and equipment, and potentially time-consuming during surgery. By tracking specially designed transponders in the equipment, the Maquet Magnus OR Table System can detect collisions before they happen and issue a warning if accessories are on a collision course with the column or floor – even if the table top is positioned in reverse.

### **Fast, safe and comfortable-in-use for the nursing staff**

Thanks to the Easy Click technology, it takes only a single hand movement to interchange the Maquet Magnus modules, allowing for simple and safe handling. Patients placed on Maquet SFC cushions sink into the underlay due to their body weight and body temperature. The SFC cushion molds itself individually to the body, thereby increasing the contact surface by up to 60%. The visco-elastic and thermo-active properties of SFC cushions have been proven to reduce pressure by means of optimum pressure distribution.

### **Intuitive operation**

Using the intuitive hand-held controller, you can reposition your patient safely and quickly during surgery. The controller will even store and recall up to 10 patient positions. Optionally, the table top can be adjusted independently of the column on the transporter. This ensures compliance with nursing and anesthesia requirements relating to adjustments of the patient position during the induction phase or in the recovery room.



Due to its versatility, innovative narrow design and broad range of angles and tilts, the Maquet Magnus OR Table System provides an optimal working environment.



### Upright and free of strain

Maquet Magnus Table Tops can be raised to a height of 1,320 mm. This allows surgeons to operate comfortably from a standing position, e.g. during a total hip replacement in the supine position.



### Relaxed arms and shoulders

The extremely low setting of the Maquet Magnus OR Table System ensures safe and stress-free operating, e.g. in minimally invasive laparoscopic interventions. A step stool is not needed.



### Clear imaging

Pressure relieving cushioning is easy to clean and does not impede X-rays.



### Simple setup

Thanks to the Easy Click technology, it just takes a single hand movement to interchange the Magnus modules, easily and safely.



### All key operations at your fingertips

Intuitive hand controller with back-lit key panel and extensive position memory.



# Hybrid ORs – surpassing today's expectations

Image-guided surgery will become the new standard

## **At the core of the Getinge Hybrid OR is the Maquet Magnus Operating Table System**

Featuring interchangeable carbon fiber and universal table tops, Maquet Magnus can be quickly configured to accommodate a range of image-guided surgical procedures. Designed to work in full harmony with leading imaging system suppliers, Maquet Magnus is key to making the Hybrid OR future proof, offering integrated solutions for angiography systems, CT and MRI, that ensure superior imaging and table performance.

The precise and controlled table movements protect patients and improve accuracy during intra-operative readjustments. Quickly interchangeable radiolucent table tops allow for seamless transition between surgical procedures and disciplines. At the same time, they improve patient outcomes by reducing the need to transport the patient between multiple departments and teams.

The Maquet Magnus product range also includes carbon fiber table tops, which are ideally suited to the Hybrid OR. These plates are made of radiolucent carbon fiber composite material, which allows a 360° imaging without metal elements that could influence the image. Available interfaces to common imaging partners offer perfect synchronization with imaging equipment. Synchronized movements of X-ray equipment and Maquet Magnus improve radiological results due to the retention of the isocentre.

Even in time-critical situations, Maquet Magnus gives you the freedom you need to make the best possible decisions for your patients.



GETINGE \*

GETINGE \*  
MAGNET | MEDICAL

# For all surgical interventions

Optimal combination of  
functionality and comfort



Supine position with maximum caudal working radius



Laparoscopic and conventional cholecystectomy:  
optimum access to the operating field



Thyroid surgery with well exposed neck



Spinal surgery in prone position with optimum access for the  
c-arm

The modular design of the Maquet Magnus OR Table System makes it the perfect choice for any surgical setup. Its functionalities, accessories and broad range of positional options make both micro-surgical and complex interventions significantly easier and more flexible. Its perfect height adjustment, precise and controlled table movements, slope and tilt function, and large working radius offer you maximum comfort and access while operating.



Maximum head down position up to 80° with simultaneous lateral tilt up to 45°



Position with optimised gravity, e.g. for bariatric surgery



Shoulder surgery in beach chair position



Minimally invasive total hip replacement with extension device

# Maquet Magnus OR Table Columns

## Unparalleled flexibility and durability

Maquet Magnus OR Table Columns provide the foundation for your customized OR table solution. Their innovative narrow design, unparalleled positioning flexibility and flat column base give you full access to the patient while letting you operate in a comfortable, ergonomic position. Maquet Magnus OR Table Columns are available in four different versions: two stationary, a mobile and an independently maneuverable version.

### Stationary OR table column



With the Maquet Magnus Operating Table System you may select from two stationary options: a built-in base plate column or a surface-mounted base plate column. Both provide excellent stability, no matter which Maquet Magnus Table Tops are used.

### Mobile OR table column



The mobile Maquet Magnus OR Table Column offers you all the flexibility of the stationary column, and also gives you the freedom to move the column and table top to any location with the help of a transporter. The column is powered by maintenance-free batteries that are integrated into the column base and last for at least one week of surgical work.

### Independently maneuverable OR table column



The independently maneuverable Maquet Magnus OR Table Column is equipped with its own castors, making it easy to move without an additional transporter, even during surgery. This version, too, offers all the features of the stationary column.



Independently  
maneuverable  
OR table column

Mobile  
OR table column

Stationary  
OR table column



# Technical description

## and construction features

### Maquet Magnus OR Table column

- OR table column for mounting system-compatible operating table tops
- Adaptive transfer: table column automatically recognises the transfer position and guides the column head accordingly
- Electro-hydraulically driven column
- Transfer of the operating table tops from both sides and with free selection of orientation of head or foot first. Automatic recognition of orientation direction of the operating table top on the column and corresponding allocation of the functional keys on the control units
- Horizontal alignment of the column head (post-operative), either by activating the zero position function through the hand-held controller or by positioning the transporter and activating the "Height up/down" column function
- Activation of the motorized movements of the OR table system using the infrared hand-held controller, cabled hand-held controller or foot lever as well as through the additional operating panel, which is integrated in the OR table column
- Two splash-protected plug-type connections for the parallel connection of cabled hand-held controller and foot lever
- Column casing made of stainless steel

### Available in four versions

#### **1180.01A0 – Stationary version for installation into built-in base plate 1120.98A0 or 1150.98A0**

- Liquid-tight installation, flush with upper edge of finished floor; can be rotated through approx. 350°; can be locked in any position
- Power supply to the operating table column through stationary transformer unit with battery buffer

#### **1180.01B0 – Stationary column with floor mounting plate for installation on finished floor**

- Power supply, same as 1180.01A0

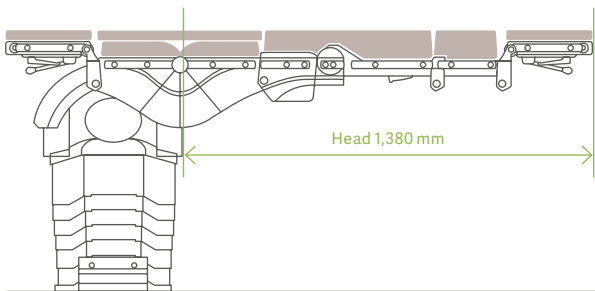
#### **1180.01C0 – Mobile column, can be moved with transporter**

- Power supply for the operating table column through maintenance-free batteries, integrated into the base plate; operating capacity between two charging cycles, approx. one OR week
- Batteries are recharged and OR table column is operated through a mains supply, using a mobile transformer unit, which is included in the scope of delivery

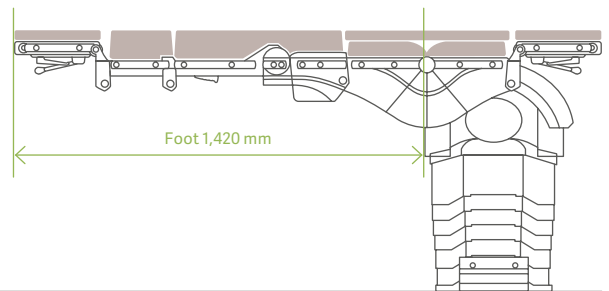
#### **1180.01D0 – Independently manoeuvrable column, can be moved using the integrated castors and activated by the hydraulic pedal-operated pump**

- Power supply, same as 1180.01C0

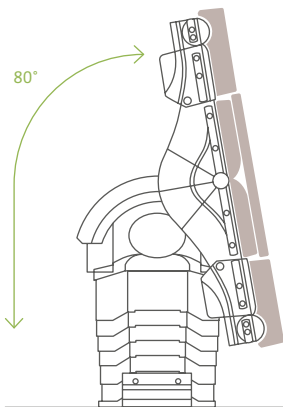




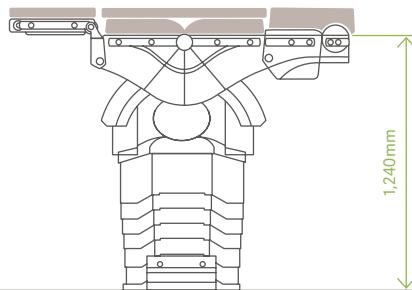
Radioscopy access with positioning in head direction



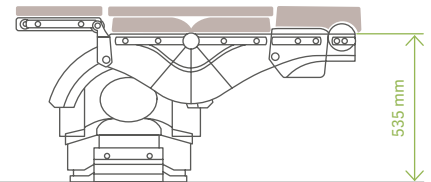
Radioscopy access with positioning in foot direction



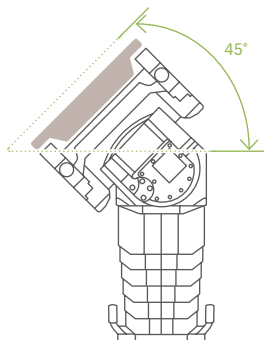
Foot down/head down tilt, max. 80°



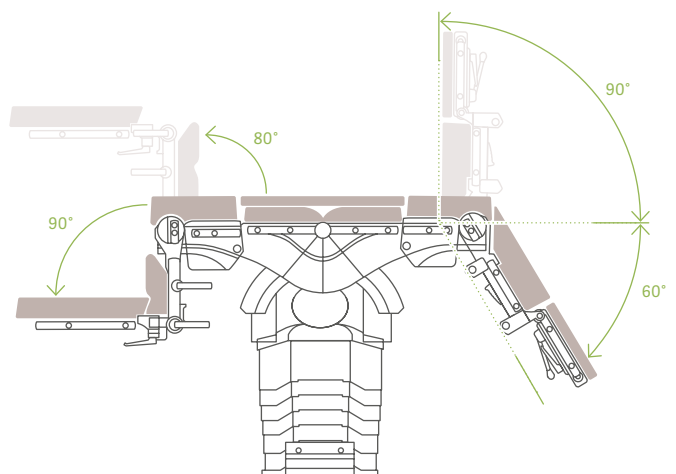
Highest position without cushioning



Lowest position without cushioning



Left/right tilt: max. 45°



Back plate position: up/down +90°/-60°,  
 Leg plate position: up/down +80°/-90°,  
 Lower leg plate: up/down +90°/-90°

## Maquet Magnus OR Table Tops

- OR table top as symmetrically divided basic unit, with identical interfaces on both sides, allowing for individual configuration, depending on surgical requirements
- Plug-in modules may be selected as required
- Table top has radiology window between the bars without crossbars, for intra-operative use of image intensifier
- OR table top frame and side rails (10 x 25 mm) made of stainless steel
- Radiolucent, 80 mm thick hybrid cushioning, with electrical discharging capacity. The support plates can easily be removed for cleaning, without tools
- The central cushioning segment in a sandwich design, including wear-protection with visco-elastic foam and bi-elastic cover, offers excellent pressure distribution and reduces shearing forces
- Electro-powered drive of the OR table top provides longitudinal shift (free-positioning for radioscopic examination with C-arm), as well as "Back plate up / down" and "Leg plates up / down"
- Return to the last stored patient position following C-arm control in modified patient position, using the hand-held controller
- OR table top can be adjusted using plug-in modules (see below) for various specialist surgical disciplines or different patient body sizes. Mounting points for easy, safe adaptation of modules such as:
  - Motorised joint module 1180.11A0/B0
  - Standard back plate 1180.31A0 for general surgery
  - Extension plate 1180.32A0
  - Transfer board as leg support for the initial phase in dorsosacral position 1180.57A0
  - Leg plates, divided into four, can be bent, spread and raised for genucubital position 1180.54A0
  - Shoulder module 1180.34A0
  - Carbon-fiber plate 1180.45A0
  - Extension plug-in device 1180.19A0
  - Dual-joint head rest 1180.53A0
  - Single-joint head rest 1180.50A0
- Very easy adaptation is ensured using a snap connector (Easy Click System). Device is immediately held in place to prevent accidental loosening

### Technical specifications

<b>Length of universal table top</b> Head-side configuration with one joint pair, back plate, extension plate and head rest	1,945 mm
---	----------

<b>Length of universal table top</b> Leg-side configuration with one joint pair, head rest and leg plates	2,055 mm
---	----------

Width of universal table top	540 mm
------------------------------	--------

Width across side rails	580 mm
-------------------------	--------

Radioscopy window between the bars	410 mm
------------------------------------	--------

### Motorized adjustments

<b>Height (without cushioning)</b> Stationary column	535–1,240 mm
Mobile columns	565–1,270 mm

<b>Inclination:</b> head down/foot down	80° / 80°
---	-----------

Tilt, left / right	45° / 45°
--------------------	-----------

Longitudinal shift	460 mm
--------------------	--------

Back plates up / down	+90° / -60°
-----------------------	-------------

Leg plates up / down	+80° / -90°
----------------------	-------------

### Max. patient weight incl. accessories

Built-in base plate column 1180.01A0	380 kg
Surface-mounted base plate column 1180.01B0	380 kg
Mobile column 1180.01C0	380 kg
Mobile column 1180.01D0	250 kg



Getinge is a global provider of innovative solutions for operating rooms, intensive care units, sterilization departments and for life science companies and institutions. Based on our firsthand experience and close partnerships with clinical experts, healthcare professionals and medtech specialists, we are improving the everyday life for people – today and tomorrow.

This document is intended to provide information to an international audience outside of the US.

Maquet GmbH · Kehler Str. 31 · 76437 Rastatt · Germany · +49 7222 932-0

[www.getinge.com](http://www.getinge.com)